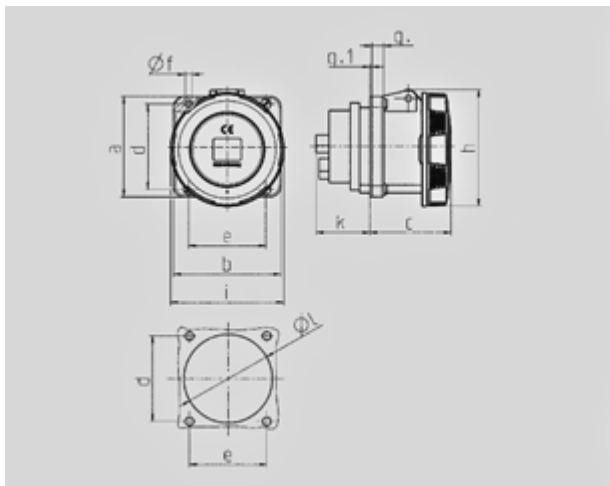


Panel mounted receptacle - Part no. 1123A


- screw terminals
- 63A: SoftCONTACT
- 125A: TorsionSpringCONTACT
- straight
- receptacles with pilot contact: part no. + index P

Protection type	67
Ampere	63 A
Poles	4p
Voltage	230
Hertz	50-60Hz
Earth position	9h
Contact	standard
Connection technology	Screw terminals, SoftCONTACT

Std. Pack. 5 Qty.



Drawing	Amp.	63			125	
		3	4	5	4	5
1 MB 212/258	Poles					
Dim. in mm	a	107	107	107	130	130
	b	100	100	100	130	130
	c	81	81	81	119	119
	d	85	85	85	104	104
	e	77	77	77	104	104
	f	6	6	6	6,5	6,5
	g	12	12	12	18	18
	g.1	2	2	2	2	2
	h	117	117	117	129	129
	i	113	113	113	126	126
	k	55	55	55	43	43
	l	88	88	88	95	95
Terminal for cond. cross section (mm ²) min.-max.		6	6	6	25	25
		-25	-25	-25	-70	-70